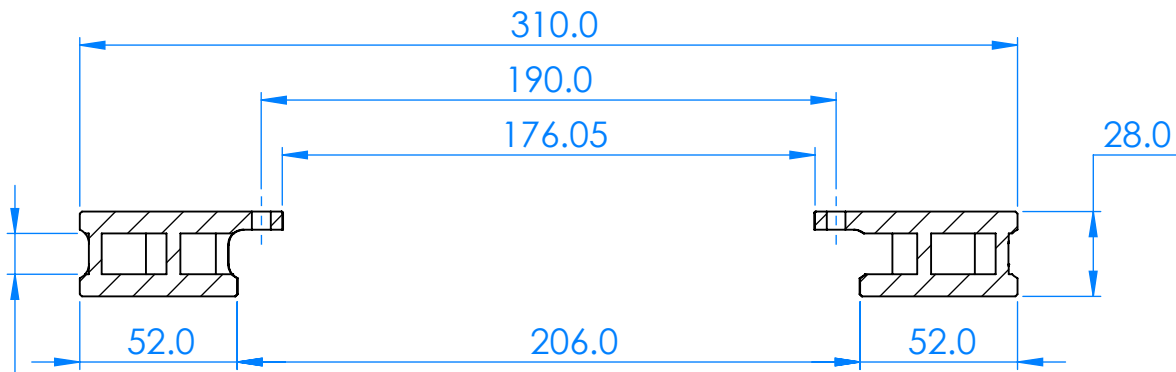


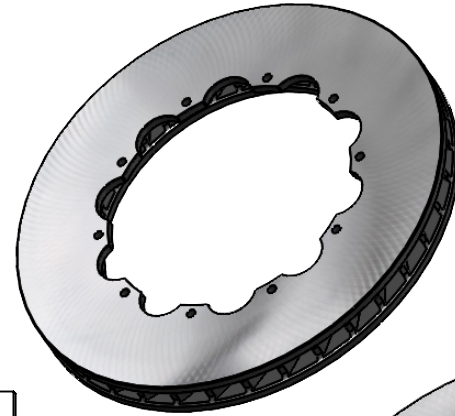
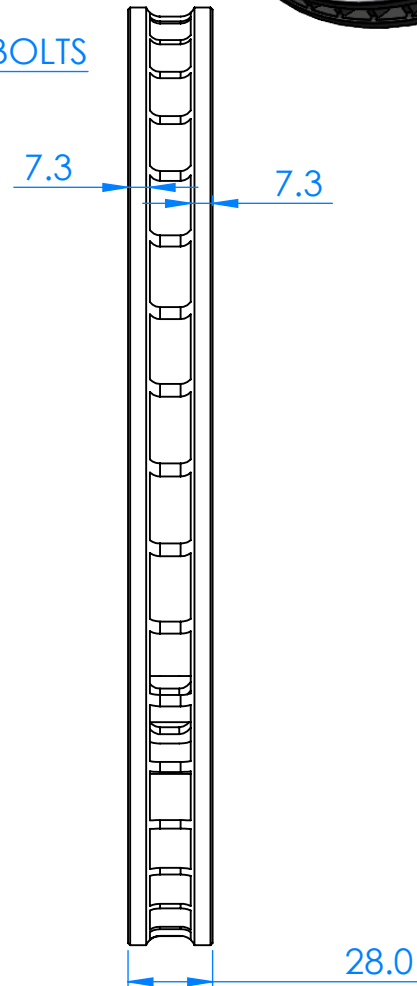
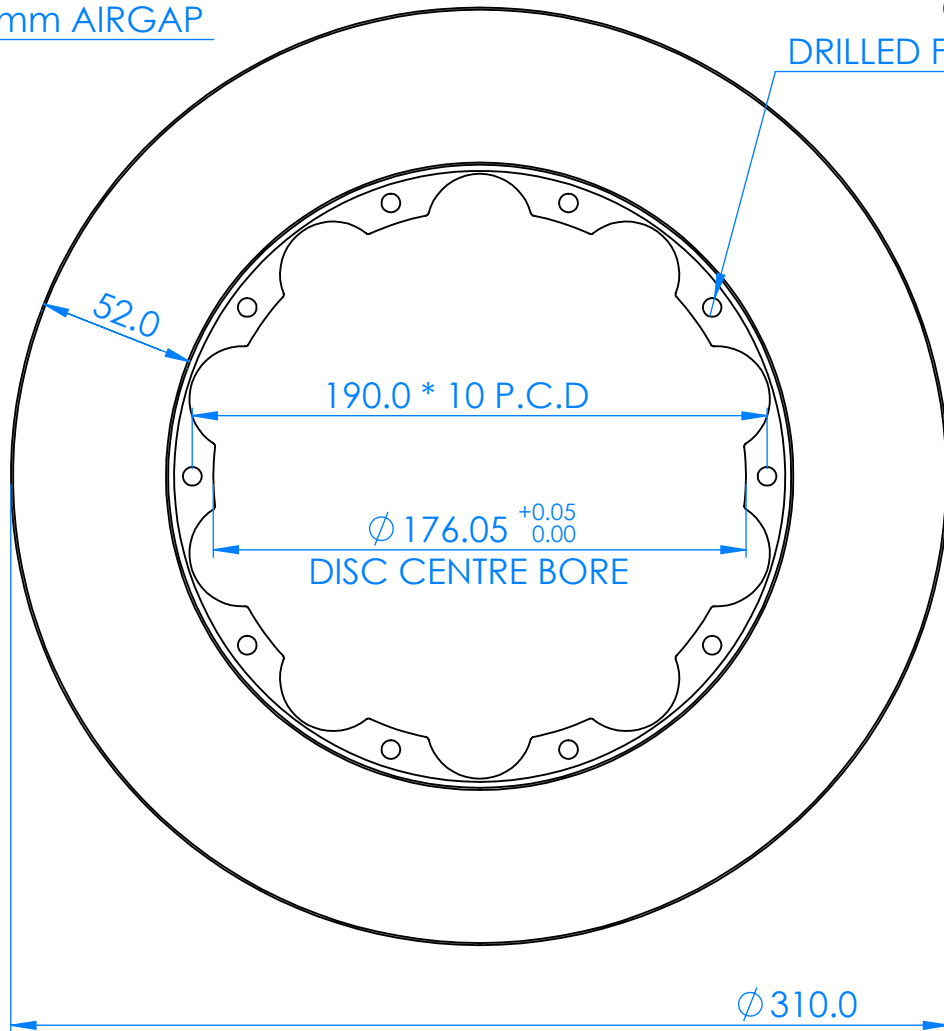
UNLESS OTHERWISE SPECIFIED:
 DIMENSIONS ARE IN MILLIMETERS
 SURFACE FINISH:
 TOLERANCES:
 LINEAR:
 ANGULAR:

DEBURR AND
 BREAK SHARP
 EDGES



14mm AIRGAP

Ø 6.2
 DRILLED FOR M6 BOLTS



310 * 28 ROTOR
 190 * 10 PCD
 14mm AIR GAP
 PAD FACE = 52mm

MATERIAL: Gray Cast Iron (SN)

WEIGHT: 5265.39

DRAWN BY: Nick Bedding

DATE: 12/09/2023



SCALE: 1:2.5
 DO NOT SCALE DRAWING
 SHEET 1 OF 1



A4