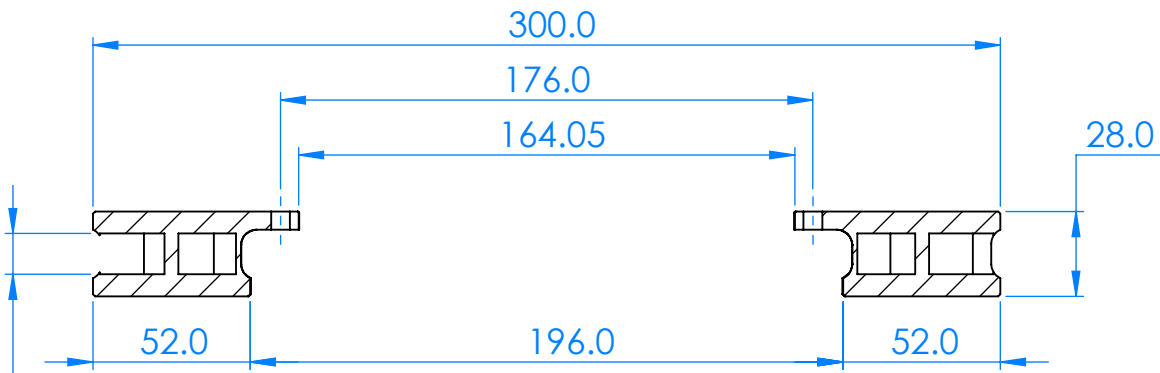


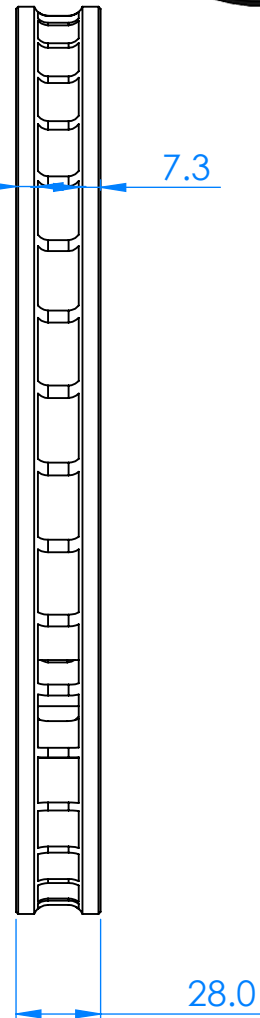
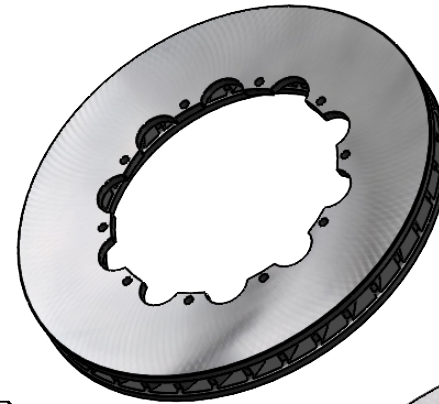
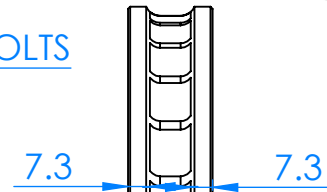
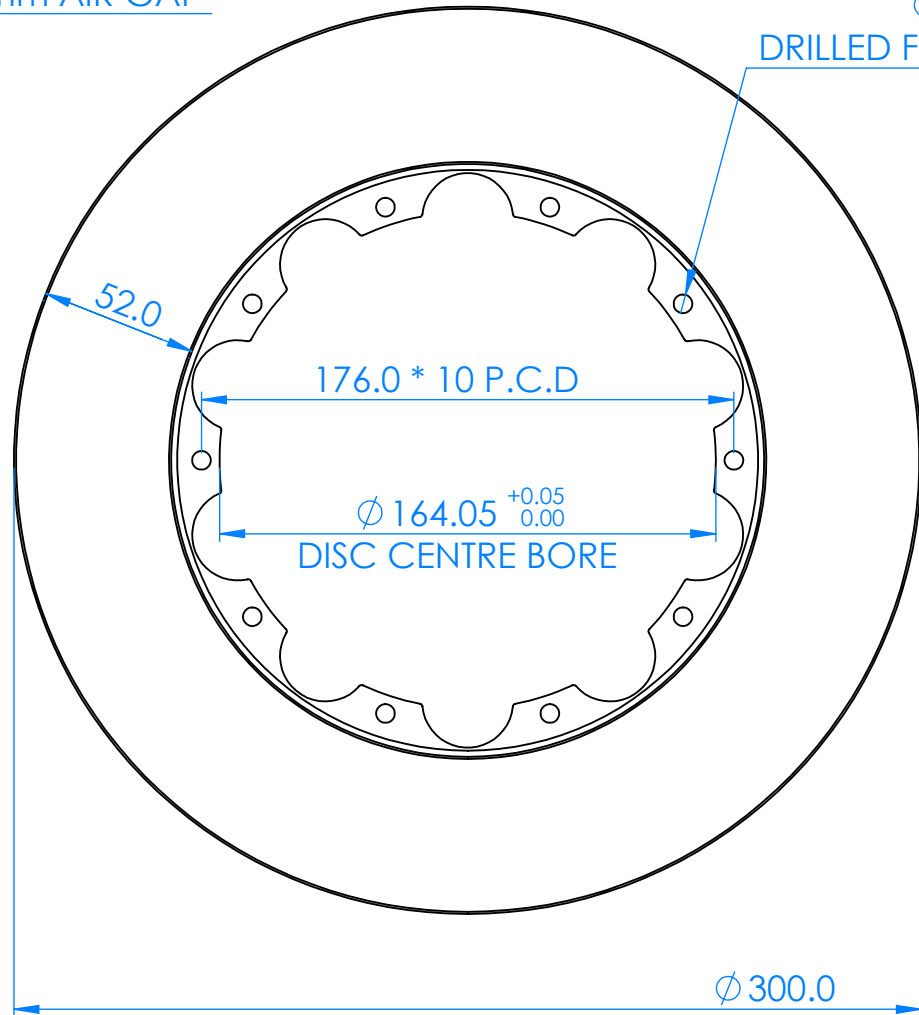
UNLESS OTHERWISE SPECIFIED:
 DIMENSIONS ARE IN MILLIMETERS
 SURFACE FINISH:
 TOLERANCES:
 LINEAR:
 ANGULAR:

DEBURR AND
 BREAK SHARP
 EDGES



14mm AIR GAP

$\phi 6.2$
 DRILLED FOR M6 BOLTS



300 * 28 ROTOR
 176 * 10 PCD
 14mm AIR GAP
 PAD FACE = 52mm

MATERIAL: Gray Cast Iron (SN)
 WEIGHT: 5092.02

DRAWN BY: Nick Bedding
 DATE: 12/09/2023

SCALE: 1:2.5
 DO NOT SCALE DRAWING
 SHEET 1 OF 1

A4

